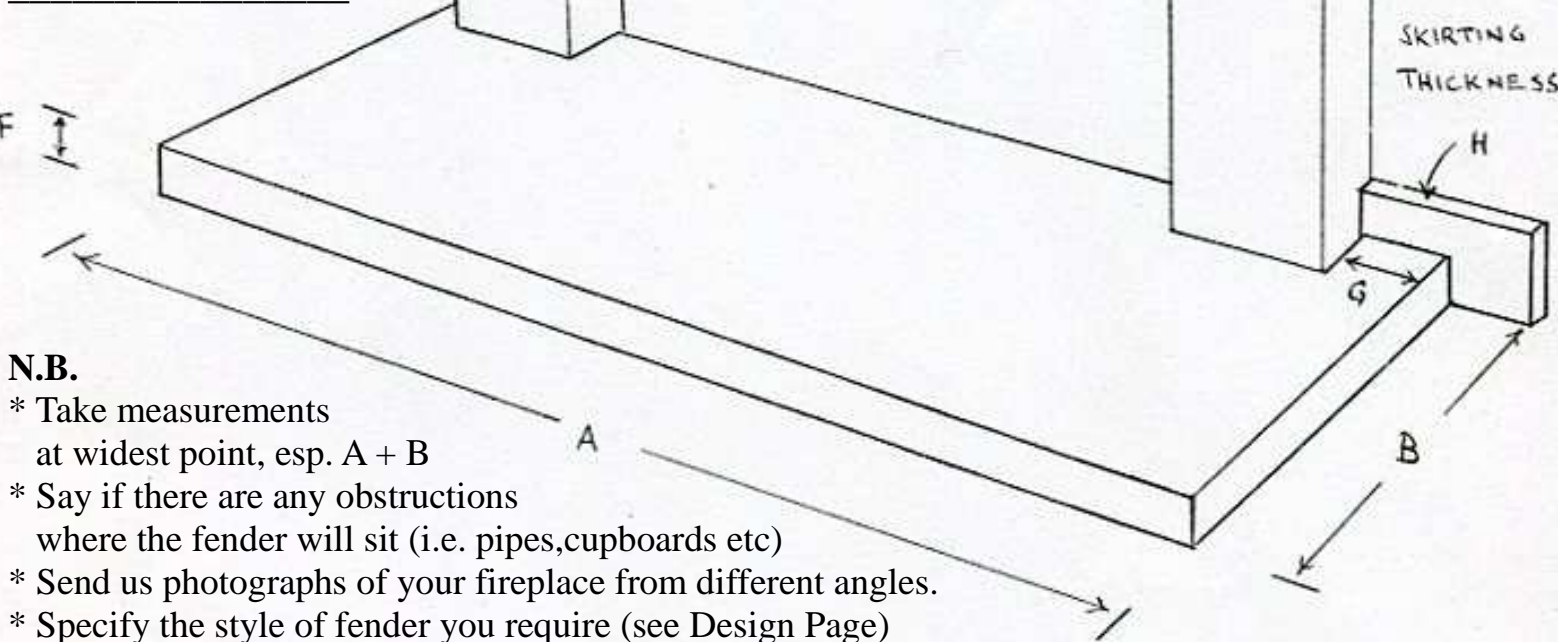


MEASUREMENTS

- A) _____
- B) _____
- C) _____
- D) _____
- E) _____
- F) _____
- G) _____
- H) _____

Type of design req.



- N.B.**
- * Take measurements at widest point, esp. A + B
 - * Say if there are any obstructions where the fender will sit (i.e. pipes, cupboards etc)
 - * Send us photographs of your fireplace from different angles.
 - * Specify the style of fender you require (see Design Page)

YOUR CONTACT DETAILS:-

Name: _____

Address: _____

Postcode: _____

Telephone: _____ Mobile: _____ Email: _____

IF IN DOUBT ABOUT ANYTHING EMAIL OR TELEPHONE US TO DISCUSS